

Universal/Standard Ku-band 8W BUC

MODEL No. NJT8318 series

< Features >

- * **High Temperature Operating**
 - Operation Guarantee Temperature Range: -40 to +75 degree C
- * **RF Frequency Line-up**
 - Universal Ku-band: 13.75 to 14.5 GHz
 - Standard Ku-band: 14.0 to 14.5 GHz
- * **High Efficiency Output Power**
(8W Model)
 - P1dB: +39 dBm min. over temperature
 - Power Consumption: 80 W typ.
 - IM3: -28 dBc @ Pout <= +36 dBm
- * **Monitor & Control Line-up**
 - FSK Communication M&C
 - RS-232C Interface Serial M&C
- * **Smaller Size & Lighter Weight**
 - Dimension: 180 (L) x 130 (W) x 80 (H) mm
 - Weight: 2.4 kg



< Line-Up >

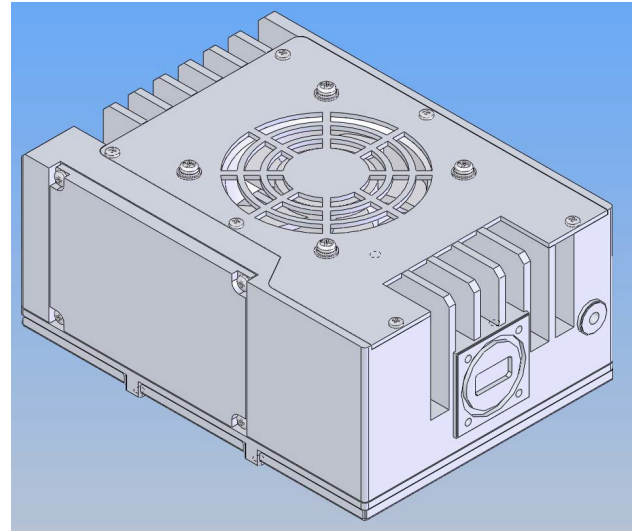
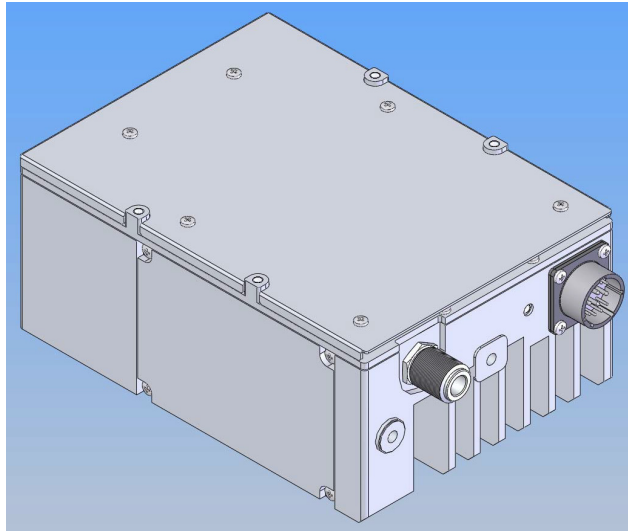
Model No.	RF Frequency	Local Frequency	IF Frequency	Output Power @ P1dB	IF Connector	Power Supply	Port for Voltage Input	M&C Option					
NJT8318N	14.0 to 14.5 GHz (Standard Ku-band)	13.05 GHz	950 to 1,450 MHz	8W Linear (+39dBm min.)	N-type	+18 to +60 V DC Power	IF Connector	N/A					
NJT8318F					F-type		MS Connector (IF Connector Option)						
NJT8318NM					N-type								
NJT8318FM					F-type								
NJT8318NA					13.75 to 14.5 GHz (Universal Ku-band)	12.80 GHz	950 to 1,700 MHz	8W Linear (+39dBm min.)	N-type	AC Power Option	IF Connector	N/A	
NJT8318FA									F-type		* Note 1		
NJT8318NK									+18 to +60 V DC Power	IF Connector	FSK M&C		
NJT8318FK										F-type			MS Connector (IF Connector Option)
NJT8318NMK										N-type			
NJT8318FMK										F-type			
NJT8318NMR									AC Power Option	IF Connector	RS-232C M&C		
NJT8318FMR										F-type			* Note 1
NJT8318NMRA										N-type			IF Connector
NJT8318FMRA										F-type			
NJT8318UN	13.75 to 14.5 GHz (Universal Ku-band)	12.80 GHz	950 to 1,700 MHz	8W Linear (+39dBm min.)	N-type	+18 to +60 V DC Power	IF Connector	N/A					
NJT8318UF					F-type		MS Connector (IF Connector Option)						
NJT8318UNM					N-type								
NJT8318UFM					F-type								
NJT8318UNA					AC Power Option	IF Connector	N/A						
NJT8318UFA						F-type		* Note 1					
NJT8318UNK						+18 to +60 V DC Power		IF Connector	FSK M&C				
NJT8318UFK								F-type		MS Connector (IF Connector Option)			
NJT8318UNMK								N-type					
NJT8318UFMK								F-type					
NJT8318UNMR					AC Power Option	IF Connector	RS-232C M&C						
NJT8318UFMR						F-type		* Note 1					
NJT8318UNMRA	N-type	IF Connector											
NJT8318UFMRA	F-type												

* Note1) Additional indoor 150W AC/DC PSU is enclosed for AC Power Option and DC Power is supplied at IF connector of BUC from AC/DC PSU via IF cable.

■ Universal/Standard Ku-band **8W** BUC

MODEL No. **NJT8318** series

< Overview >



< Specifications >

Item	Specifications
Output Power @ 1dB G.C.P. (P1dB)	+39 dBm min. over temperature
Linear Gain	65 dB nom., 59 dB min.
Gain Variation over frequency	Standard Ku-band: 5 dBp-p max. over 500 MHz / 2 dBp-p max. over 36 MHz Universal Ku-band: 5 dBp-p max. over 750 MHz / 2 dBp-p max. over 36 MHz
Gain Stability over temperature	2 dBp-p typ., 5 dBp-p max.
IM3	-28 dBc typ., -24 dBc max. @ total power \leq Pout - 3dB
ACPR	-28 dBc typ. @ Pout \leq Pout - 1dB
L.O. Phase Noise	-60 dBc/Hz max. @ 100 Hz -70 dBc/Hz max. @ 1 kHz -80 dBc/Hz max. @ 10 kHz -90 dBc/Hz max. @ 100 kHz -100 dBc/Hz max. @ 1 MHz
Input V.S.W.R.	2 : 1 max.
Output V.S.W.R.	2 : 1 max.
DC Power Requirement (1) Voltage Range (2) Power Consumption	+18 to +60 VDC @ No IF Signal 65 W typ. @ P1dB 80 W typ., 90 W max.
Mute	Shut off the HPA in case of L.O. unlocked or no 10 MHz reference signal
LED Indicator	GREEN: L.O. locked / RED: L.O. unlocked (or no 10 MHz reference signal)
M&C	< FSK Communication M&C > Interface: FSK Modulation Signal via IF connector Function: Power Monitor / TX On/Off Control / Alarm ... etc < RS-232C Serial M&C > Interface: RS-232C Function: Power Monitor / TX On/Off Control / Alarm / Digital Step Attenuator ... etc
Temperature Range (ambient)	Operating: -40 to +75 C (Operation Guarantee) -40 to +55 C (Performance Guarantee) Storage: -40 to +75 C
Dimension & Housing	180 (L) x 130 (W) x 80 (H) mm [7.09" (L) x 5.12" (W) x 3.15" (H)] without interface connector and screws
Weight	2.4 kg [5.3 lbs]

*Note: The contents of this sheet are subject to change without notice.

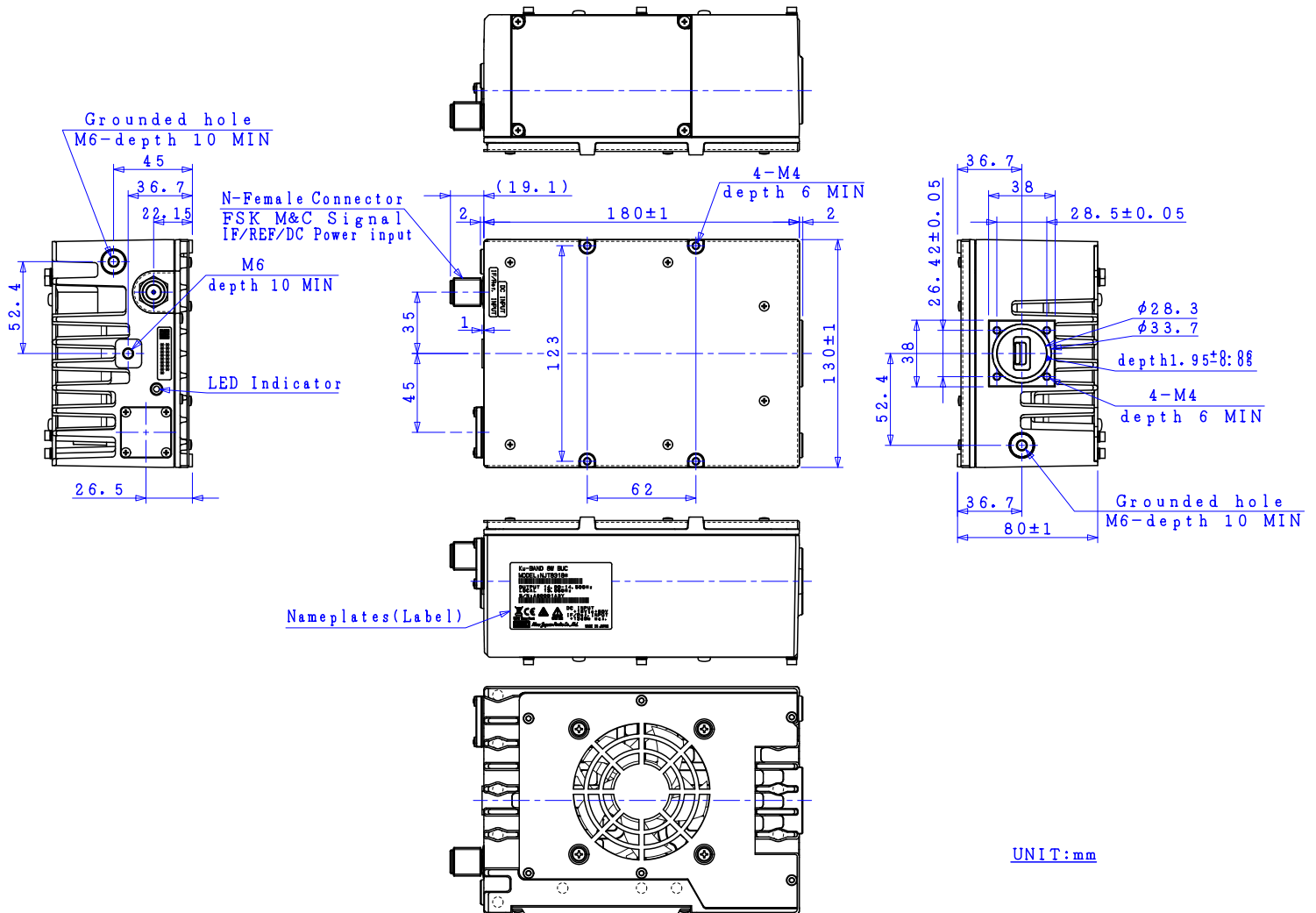
(2/9)
Rev.01(May. 2014) Ku 8W BUC_NJT8318

Universal/Standard Ku-band 8W BUC

MODEL No. NJT8318 series

< Outline Drawing >

N-type, female Connector Model / DC Input: IF Connector



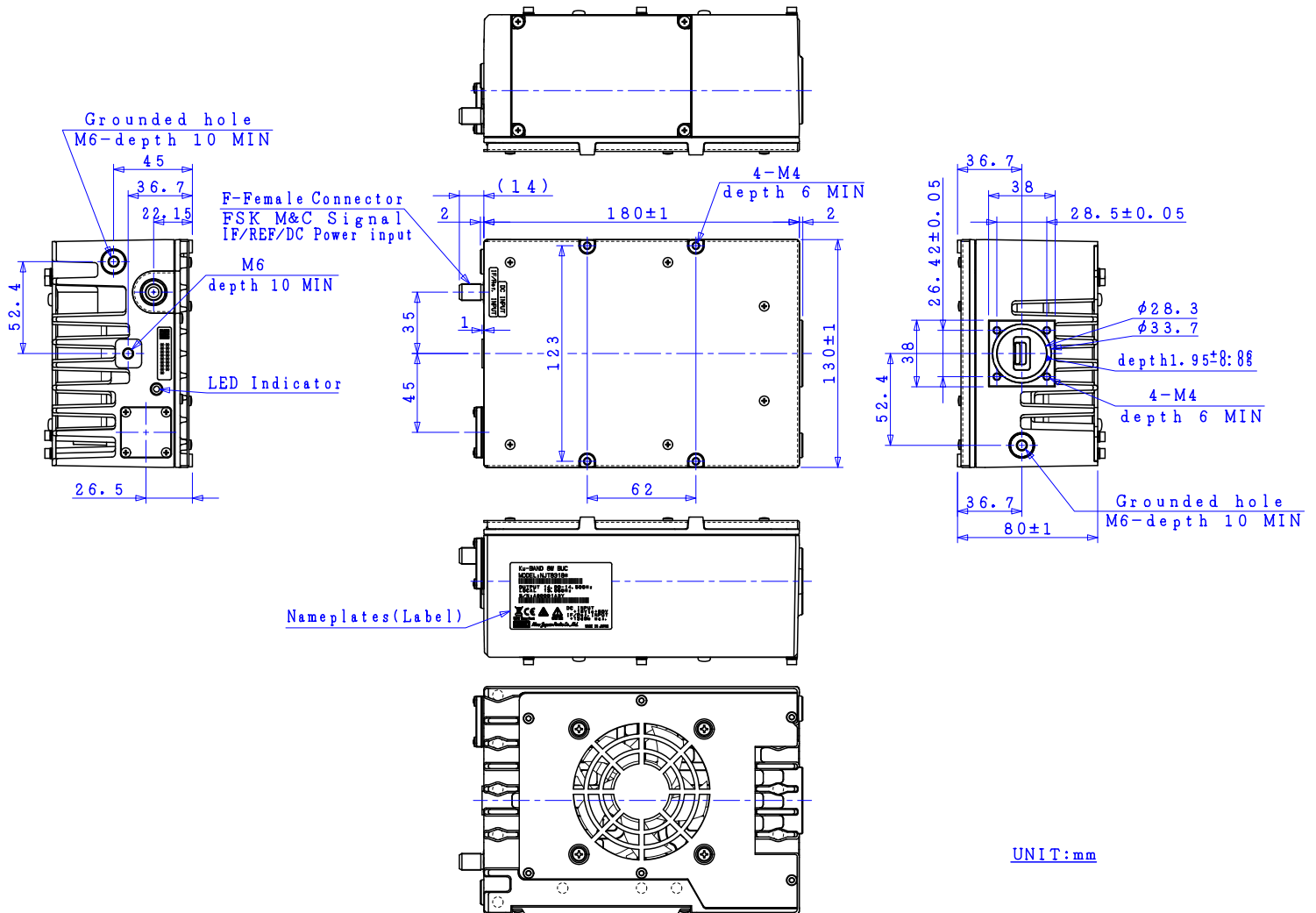
*Note: The contents of this sheet are subject to change without notice.

Universal/Standard Ku-band 8W BUC

MODEL No. NJT8318 series

< Outline Drawing >

F-type, female Connector Model / DC Input: IF Connector



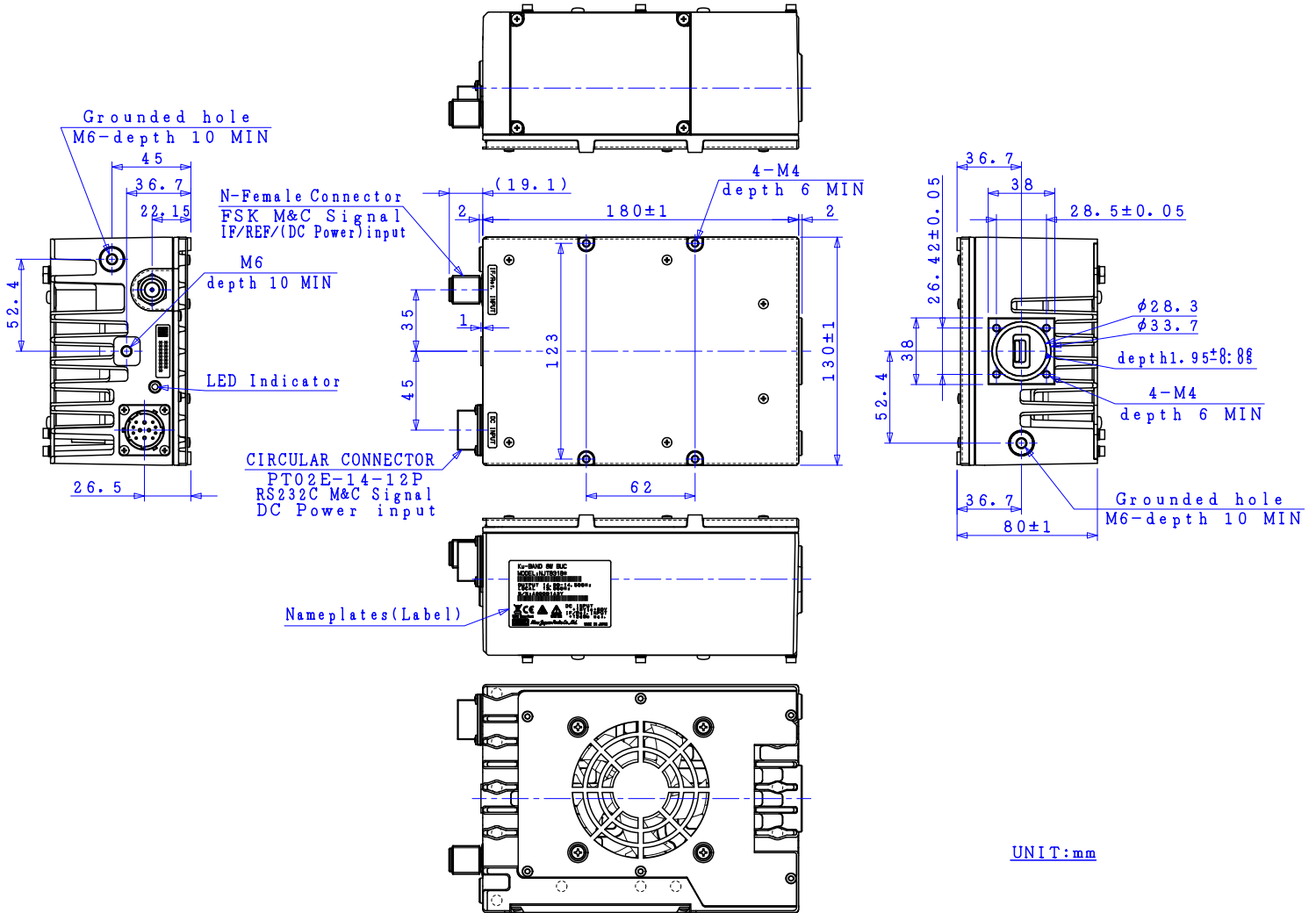
*Note: The contents of this sheet are subject to change without notice.

Universal/Standard Ku-band 8W BUC

MODEL No. NJT8318 series

< Outline Drawing >

N-type, female Connector Model / DC Input: MS Connector



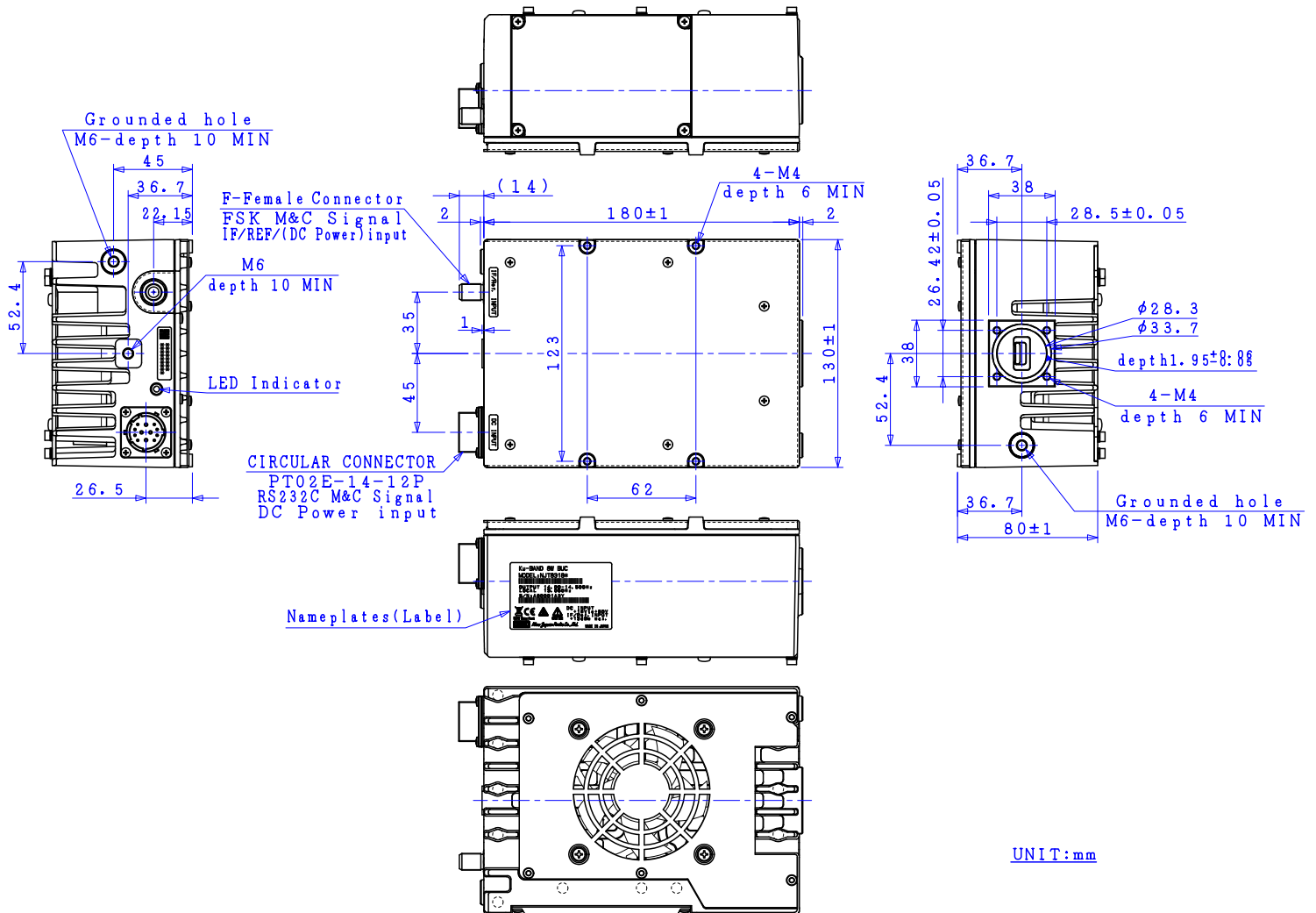
*Note: The contents of this sheet are subject to change without notice.

Universal/Standard Ku-band 8W BUC

MODEL No. NJT8318 series

< Outline Drawing >

F-type, female Connector Model / DC Input: MS Connector



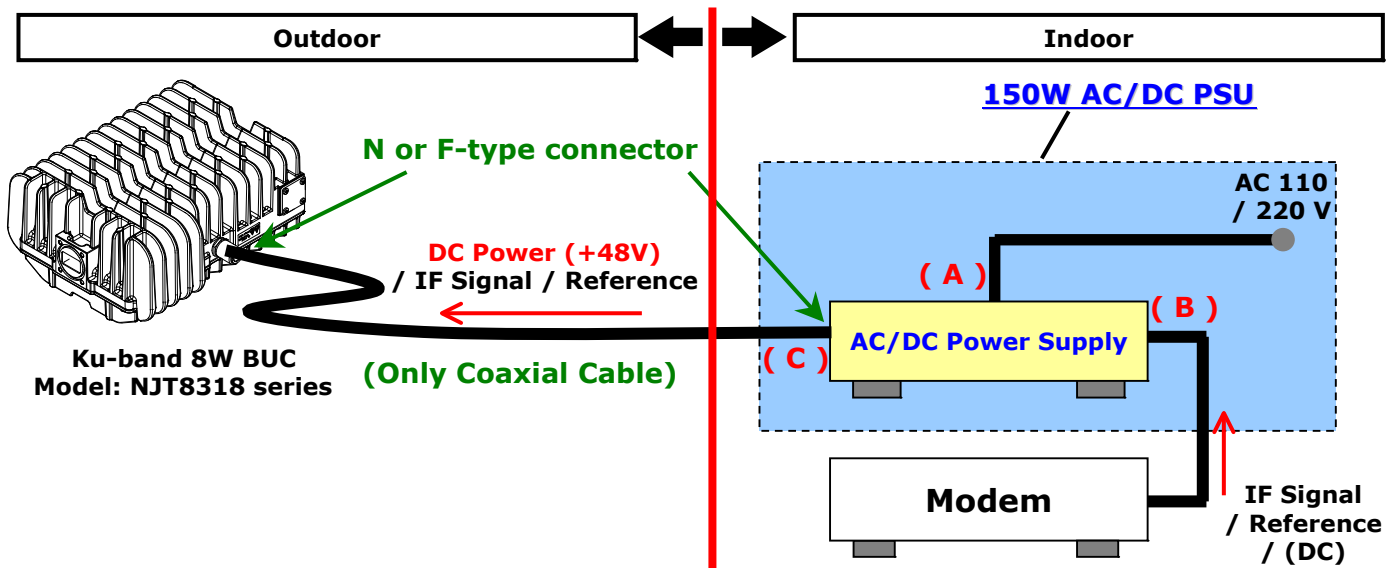
*Note: The contents of this sheet are subject to change without notice.

Universal/Standard Ku-band 8W BUC

AC Power Option: Indoor 150W AC/DC Power Supply Unit (PSU)

< Overview of AC Power Option >

- Interface -



- 150W AC/DC PSU -

* The features of 150W AC/DC Power Supply Unit (PSU) is to provide the stable +48V DC power to operate Ku-band 8W BUCs, even if inner power supply of the modem is not capable enough to operate these BUCs.

* The AC/DC box, which is having enough power supply of 150W as well as having the bias-tee which enable to pass 10MHz reference signal and L-band IF signal from the modem, is operated by AC Power and enable to operate these BUCs.

* In addition, the aluminum housing with corrosion-proof treatment on the surface is employed with the box to use perfectly as the indoor unit.



< Specifications >

Item	Specifications	
Interface	AC Input	IEC320-C14 inlet
	IF/Ref./ (DC) Input	N-type, female (50 ohm) / F-type, female (75 ohm)
	IF/Ref./DC Output	N-type, female (50 ohm) / F-type, female (75 ohm)
Input AC Voltage Range	Rated Range	100 to 240 VAC
	Absolute Maximum Rating	90 to 264 VAC
Input AC Frequency Range	50 / 60 Hz	
Output Voltage / Power	+48 VDC +/- 10 % / 150 W max.	
Efficiency	80 % typical at 120 VAC, full load	
Power Factor	0.98 typical at 120 VAC, full load	
IF Frequency	950 to 1,700 MHz	
IF Insertion Loss	1 dB max.	
IF Input/Output VSWR	1.5 : 1 max.	
Standard	EN55022, EN55024, EN60950-1, EN61000-3-2/3, EN62311	
Temperature Range (ambient)	0 to +50 C (operating), -30 to +85 C (storage)	
Cooling	Forced Air by Fan	
Dimension & Housing (without Interface Connectors / Switch)	290 mm (W) x 230 mm (D) x 44 mm (H) [11.41" (W) x 9.06" (D) x 1.73" (H)]	
Weight (without Cable)	1.6 kg [3.5 lbs]	
Accessories	Coaxial cable of 1 m, AC power cable of 1 m, 1U rack mount kit (Option)	

(7/9)

*Note: The contents of this sheet are subject to change without notice.

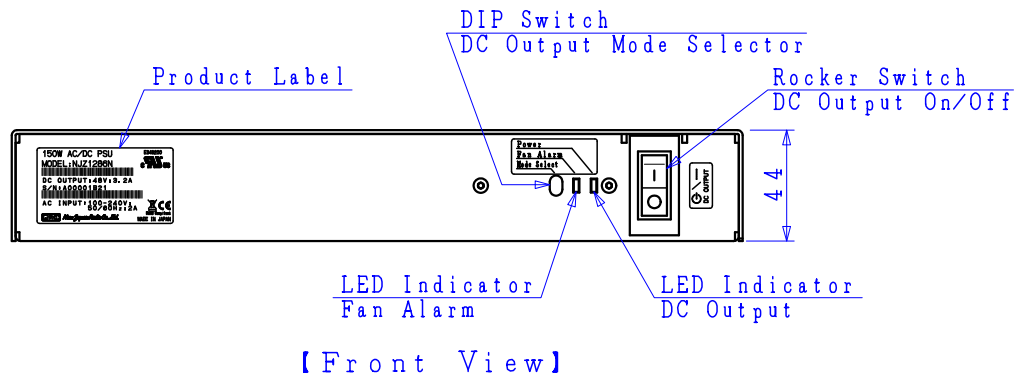
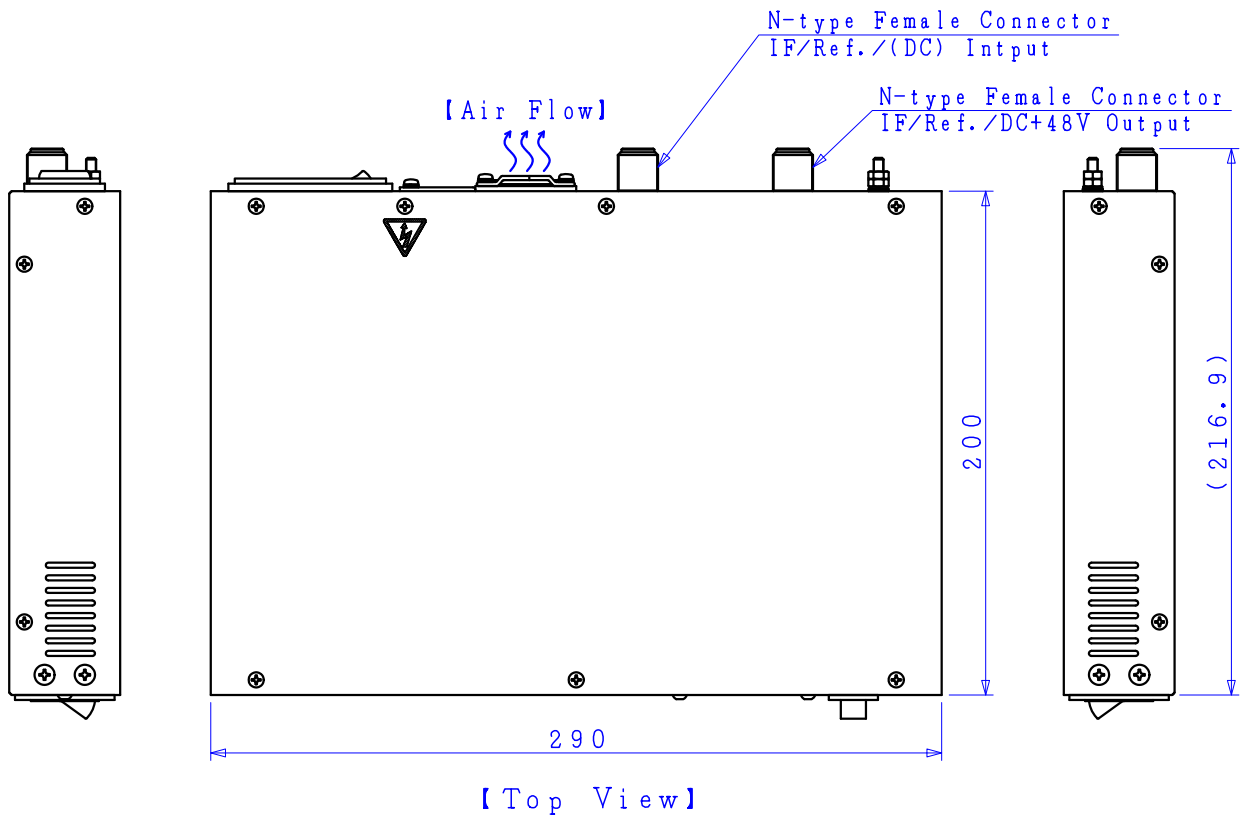
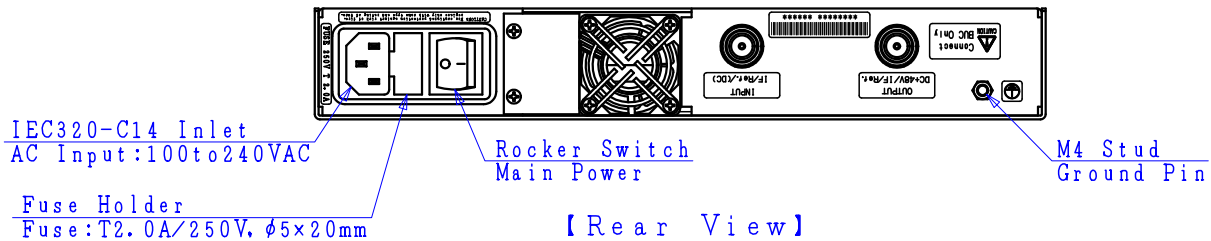
Rev.01 (May. 2014) Ku 8W BUC_NJT8318

■ Universal/Standard Ku-band 8W BUC

AC Power Option: Indoor 150W AC/DC Power Supply Unit (PSU)

< Outline Drawing >

N-type, female Connector Model (AC/DC PSU)



UNIT : mm

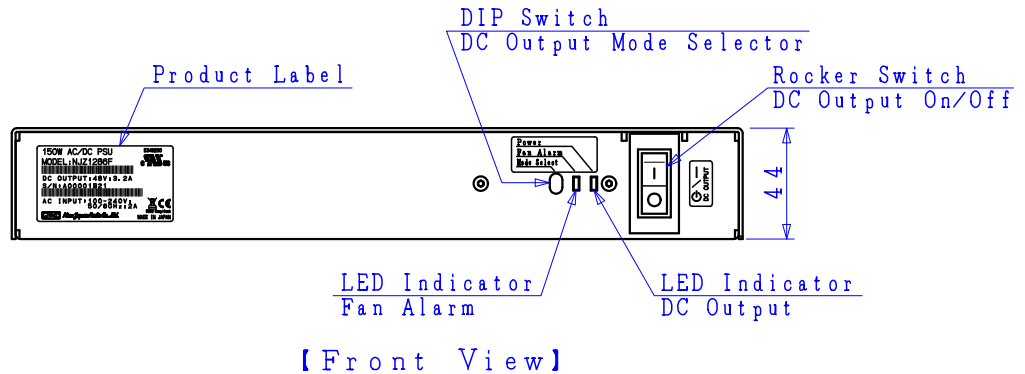
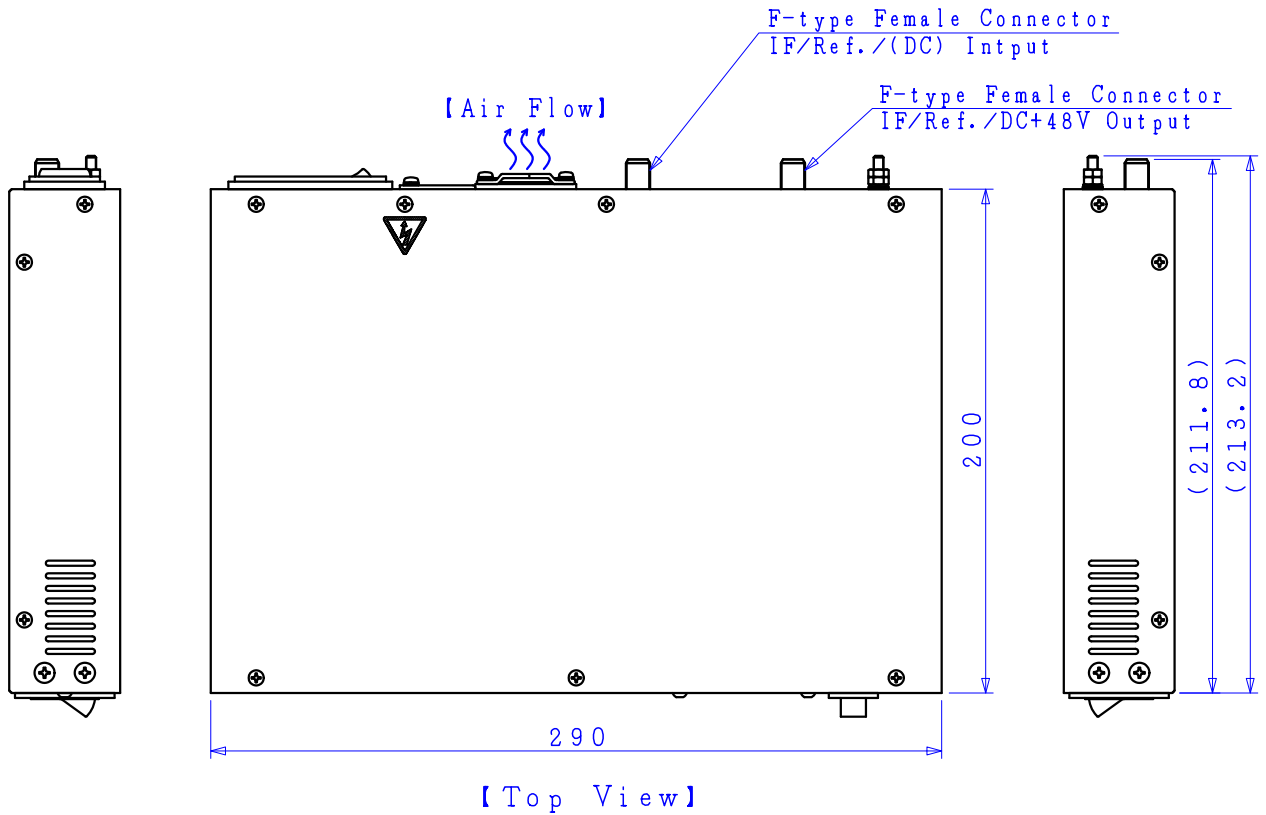
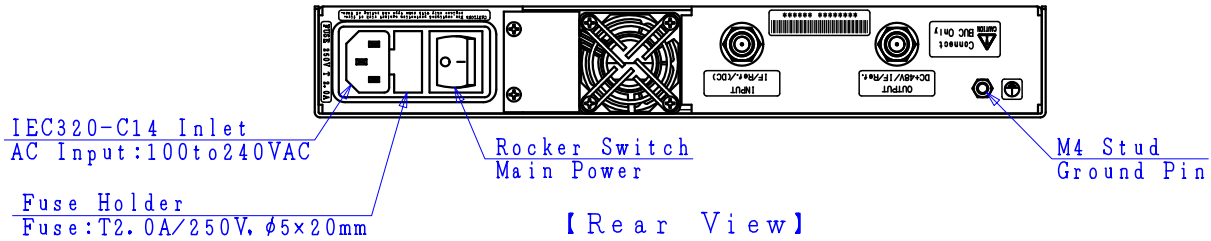
*Note: The contents of this sheet are subject to change without notice.

■ Universal/Standard Ku-band 8W BUC

AC Power Option: Indoor 150W AC/DC Power Supply Unit (PSU)

< Outline Drawing >

F-type, female Connector Model (AC/DC PSU)



UNIT : mm

*Note: The contents of this sheet are subject to change without notice.