



ALLNET

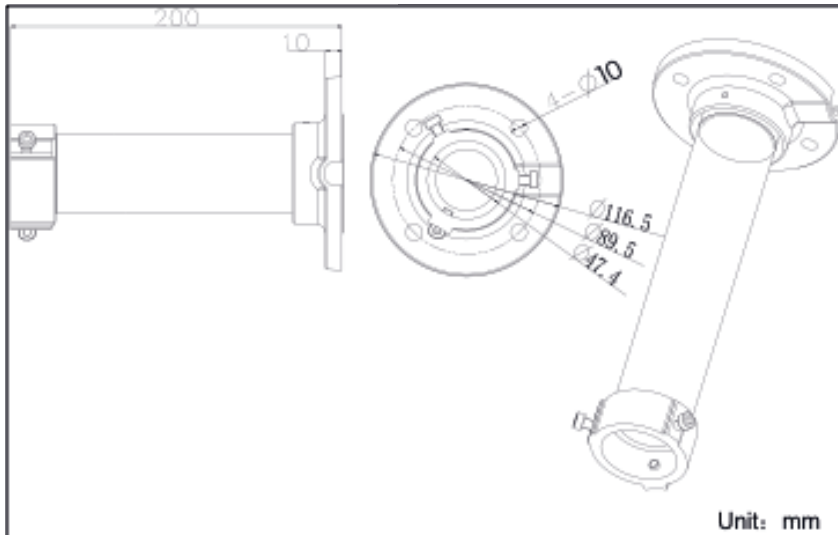
ALL-CAM239X-Ceilling-20cm

Pendent Mounting Bracket In/Outdoor

- Aluminum alloy material with surface spray treatment
- General design for indoor/outdoor
- Design of cable entrance hole
- Better water proof with rubber pad design
- With safety rope, the assembling is safer and more convenient

Art. Nr. 123686

Dimension



Order Model

ALL-CAM239X-Ceiling-20cm

Parameters

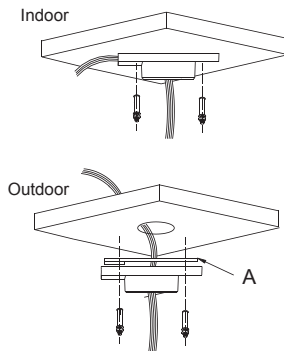
Model	ALL-CAM239X-Ceiling-20cm
Parameters	Pendent Mounting Bracket In/Outdoor
Color	White
Feature	Suitable for speed dome pendent mounting
Material	Aluminum alloy
Dimension	Φ116.5×200mm
Weight	600g

Notice

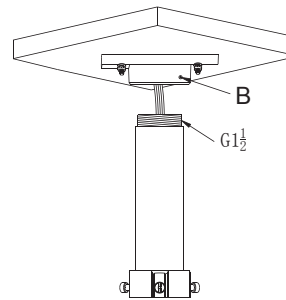
- Pay attention to the color matching when select bracket
- The bracket should be installed on the flat surface of a wall
- The wall must be capable of supporting more than 3 times the total load of the camera and the mount.
- The maximum load capacity of the mount is 30KG

Installation steps:

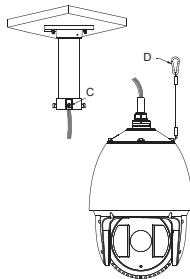
- ② Choose the appropriate wall to mount the ceiling, and rubber blanket should be added when assembling outdoors



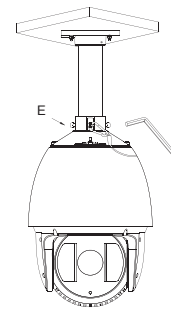
- ② and fix the screwed pipe after Twist threading



- ③ Fasten the safety rope, thread the line and assemble the speed dome



- ④ Fasten the snap joint fixing screw



Note: The figure of Speed Dome in "Installation Step" is only for your reference; please adhere to our real products.