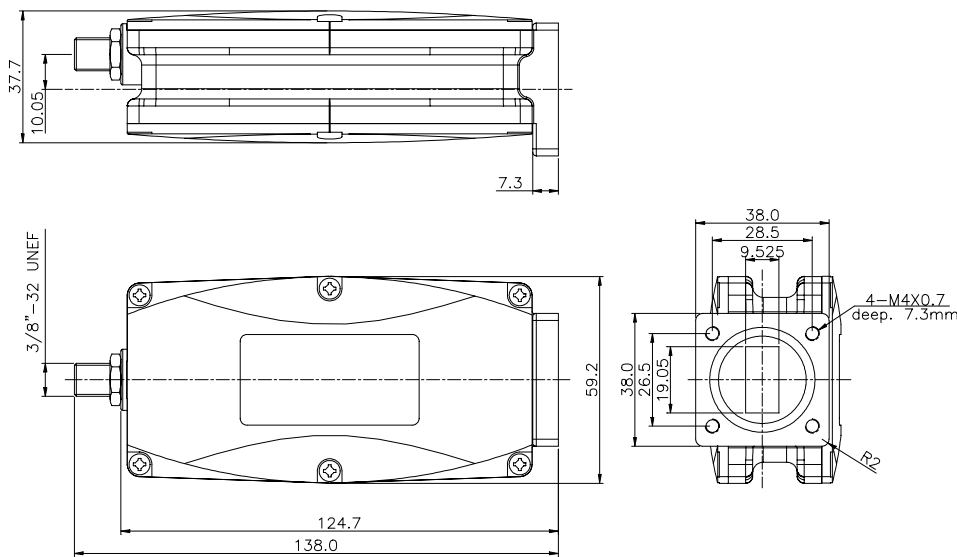


## Specifications

### 10.95~11.7 GHz External Reference PLL LNB: ZK-PE2

1. Input Frequency Range	10.95 ~ 11.7 GHz
2. Output Frequency Range	950 ~ 1700 MHz
3. Local Oscillator Frequency	10 GHz
4. Input Waveguide Flange	WR-75
5. Conversion Gain	50 ~ 60 dB
6. Gain Variation Over Temperature	± 2 dB
7. Gain Flatness Over	50 MHz ± 1 dB 750 MHz ± 2 dB
8. Noise Figure	0.7 dB (Typ.) 1.0 (Max.)
9. Output Power (@1dB Gain Compression Point)	0 dBm (Min.)
10. Phase Noise	- 60 dBc/Hz @ 100 Hz - 70 dBc/Hz @ 1 KHz - 80 dBc/Hz @ 10 KHz - 90 dBc/Hz @ 100 KHz
11. Reference Requirement	Frequency Power Level 10 MHz - 5 ± 5 dBm
12. Output V.S.W.R.	2 : 1
13. Output Connector	F-Type, Female
14. D.C Supply Voltage	15 ~ 20 V
15. D.C Current Consumption	200 mA (Max.)
16. Operating Temperature	- 40 °C ~ + 55 °C
17. Weight	400 g (Max.)

## Mechanical Drawing



Unit: mm