

UltraDish™ TP 380

DIRECTIONAL PARABOLIC DISH ANTENNA

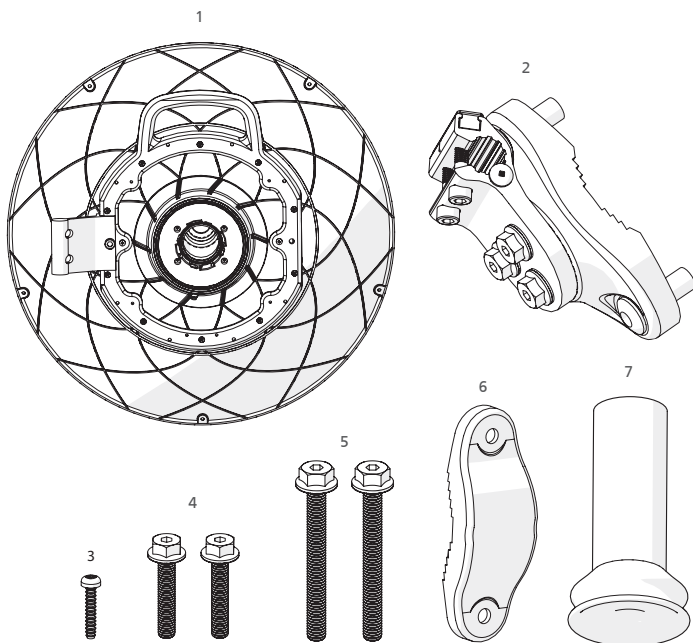
WITH TWISTPORT™ CONNECTOR



UltraDish™ TP 380

3

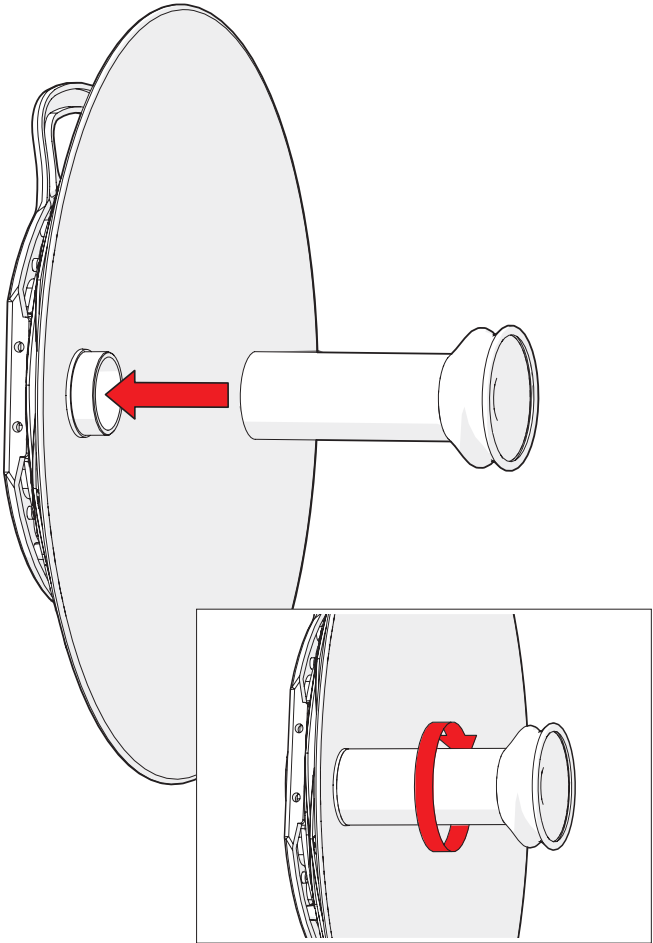
Package Contents



Number	Description	Quantity
1	UltraDish™ TP 380 Body	1x
2	UltraDish™ TP 380 Main Bracket	1x
3	2,9 x 16mm lock Screw	1x
4	M8 x 42,5mm Screw	2x
5	M8 x 73,5mm Screw	2x
6	UltraDish™ TP 380 Bracket	1x
7	UltraDish™ TP 380 Subreflector	1x

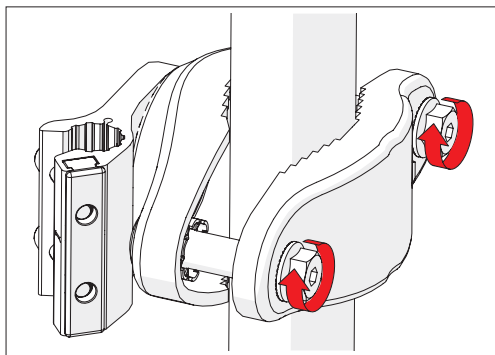
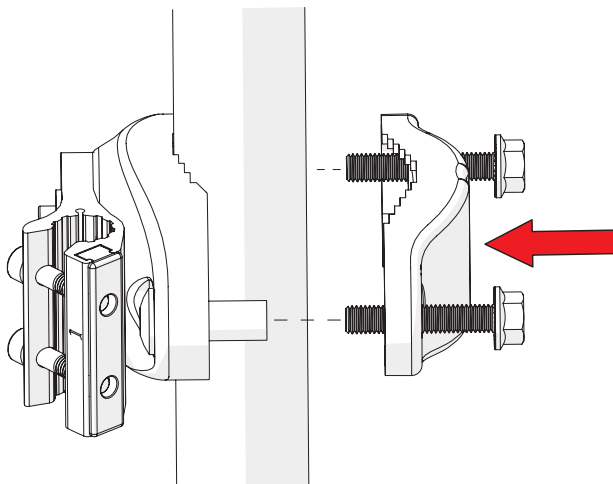
UltraDish™ TP 380

Installation Guide



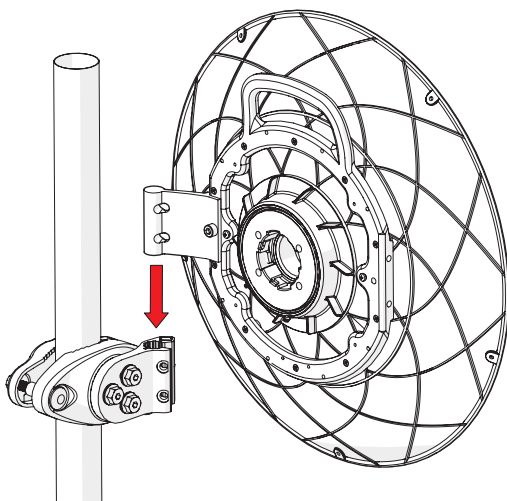
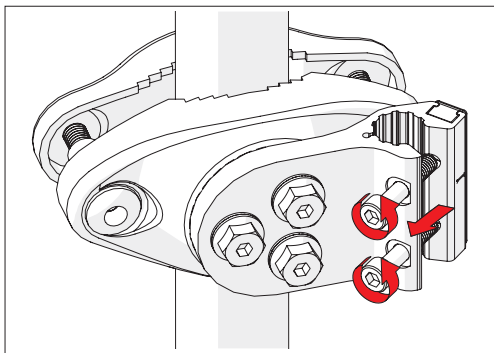
UltraDish™ TP 380

Pole Installation



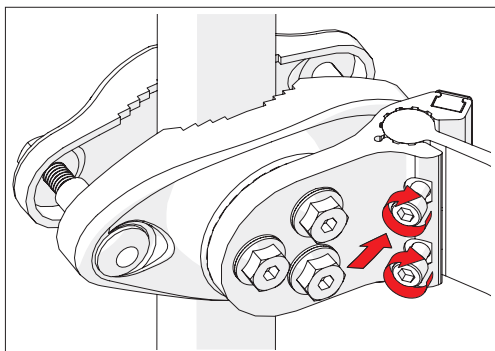
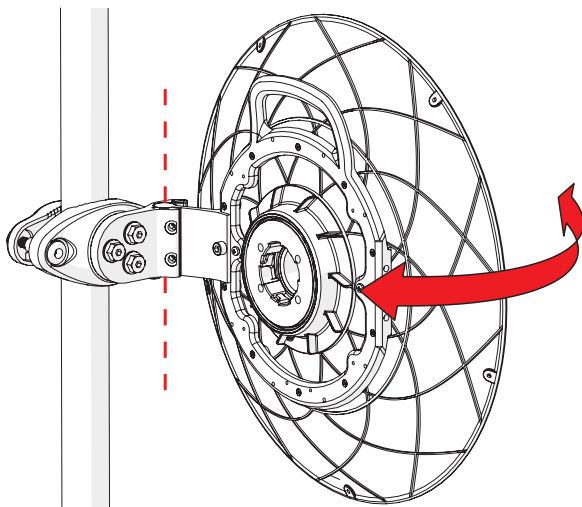
UltraDish™ TP 380

Installation Guide



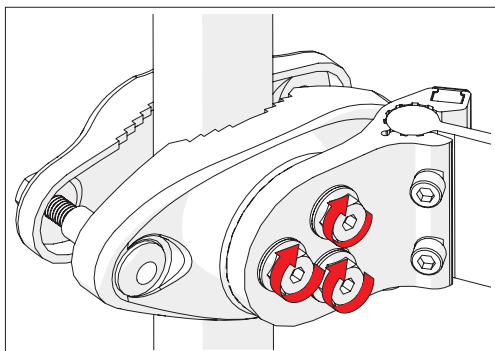
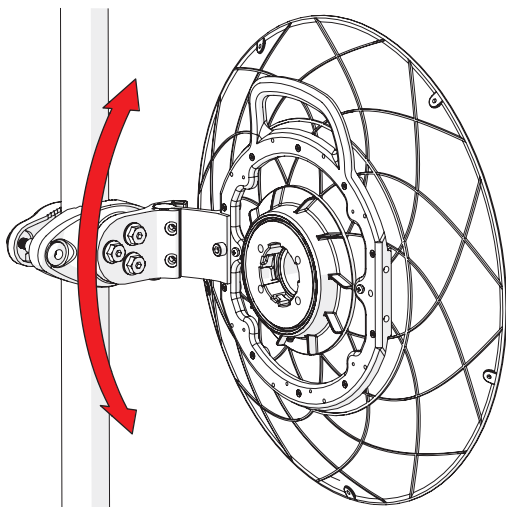
UltraDish™ TP 380

Installation Guide



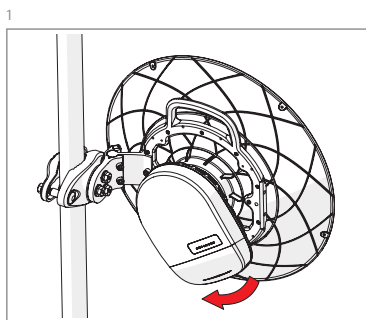
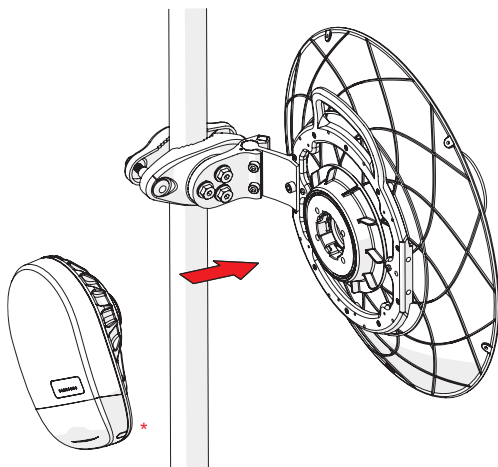
UltraDish™ TP 380

Installation Guide

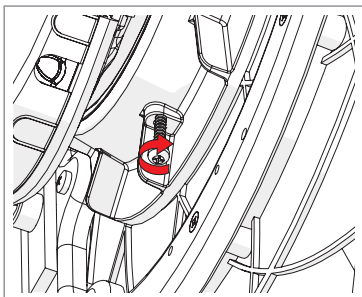


UltraDish™ TP 380

Installation Guide



2 **Optional:** Install the 2.9 x 16mm locking screw.



Tighten the locking screw to secure the TwistPort lock mechanism.

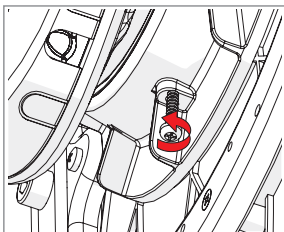
* TwistPort™ Adaptor or SIMPER™ Radio sold separately.

UltraDish™ TP 380

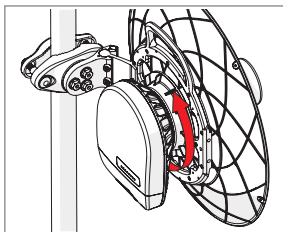
10

Installation Guide

1 If the locking screw was used,

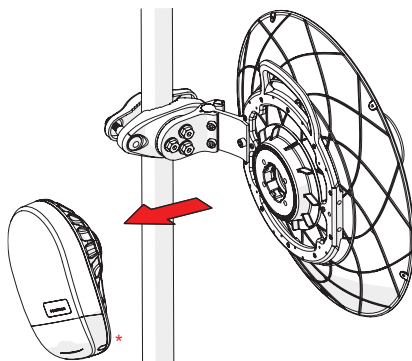
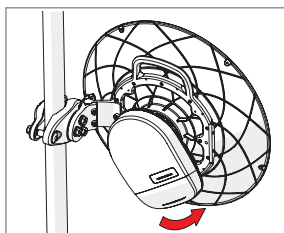


2



unscrew it by about 10 mm
before unlocking the TwisPort mechanism.

3



*TwistPort™ Adaptor or SIMPER™ Radio sold separately.

Compatible Devices:

RF elements®

any TwistPort™ Adaptor

any SIMPER™ Radio with TwistPort™ connector

RF elements®, TwistPort™, SIMPER™ and UltraDish™
are trademarks of RF elements s.r.o., Humenne, Slovakia.

All rights of trademark owners reserved.



RF elements s.r.o.
Phone: +421 2 3260 3711
info@rfelements.com
www.rfelements.com