

# **TwistPort™ Shielded Adaptor**

for Rocket M5

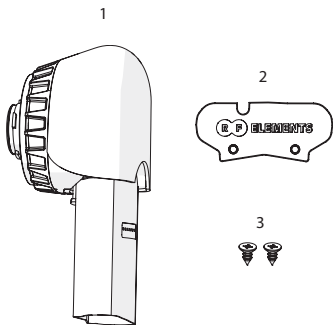
ADAPTOR FOR UBNT ROCKET™ M5



# TwistPort™ Shielded Adaptor for Rocket M5

1

## Package Contents

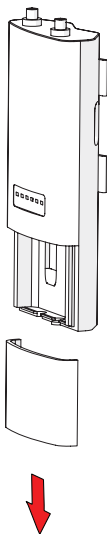


Number	Description	Quantity
1	TwistPort™ Adaptor Body	1x
2	TwistPort™ Adaptor Bottom Cover	1x
3	2,9 x 6,5mm Screw	2x

# TwistPort™ Shielded Adaptor for Rocket M5

2

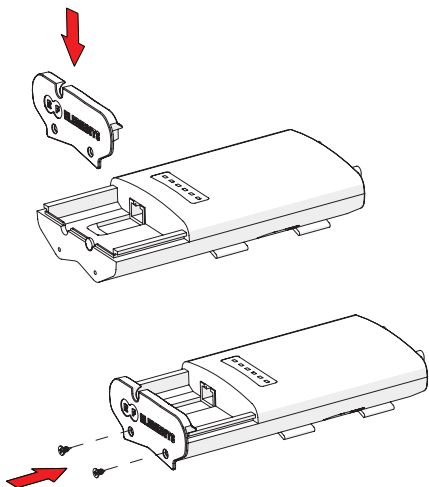
## Installation Guide



# TwistPort™ Shielded Adaptor for Rocket M5

3

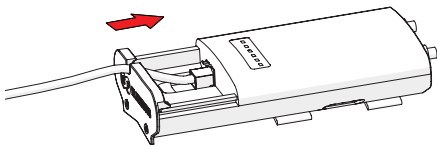
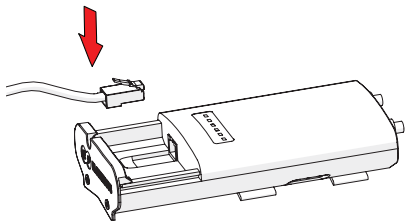
## Installation Guide



# TwistPort™ Shielded Adaptor for Rocket M5

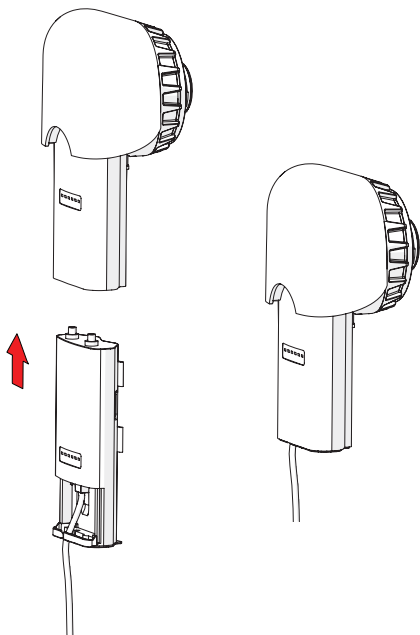
4

## Installation Guide



# TwistPort™ Shielded Adaptor for Rocket M5

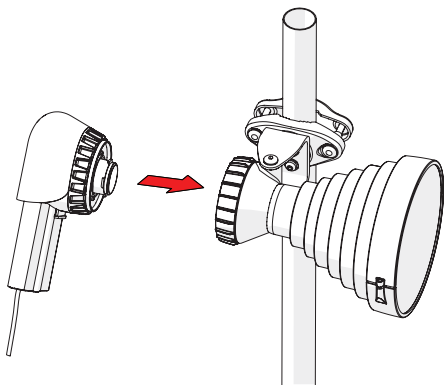
## Installation Guide



# TwistPort™ Shielded Adaptor for Rocket M5

6

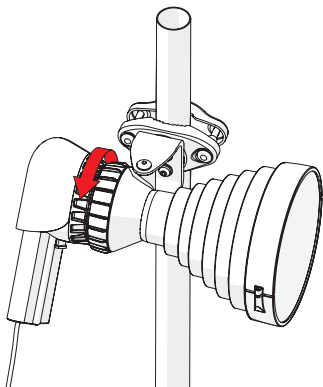
## Installation Guide



# TwistPort™ Shielded Adaptor for Rocket M5

7

## Installation Guide

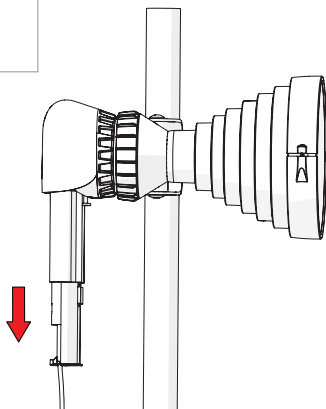
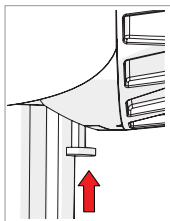




# TwistPort™ Shielded Adaptor for Rocket M5

8

## Installation Guide



## Compatible Antennas:

### **RF elements®**

any Symmetrical Horn TP Antenna  
any UltraDish™ TP Antenna

## Compatible Devices:

### **Ubiquiti Networks™**

Rocket™ M5

UBNT™ and Rocket™ M5 are trademarks of Ubiquiti Networks, Inc, San Jose, California. RF elements® and TwistPort™ are trademarks of RF elements s.r.o., Humenne, Slovakia. All rights of trademark owners reserved.



RF elements s.r.o.  
Phone: +421 2 3260 3711  
info@rfelements.com  
[www.rfelements.com](http://www.rfelements.com)