

Symmetrical Horn SH-CC 5-90

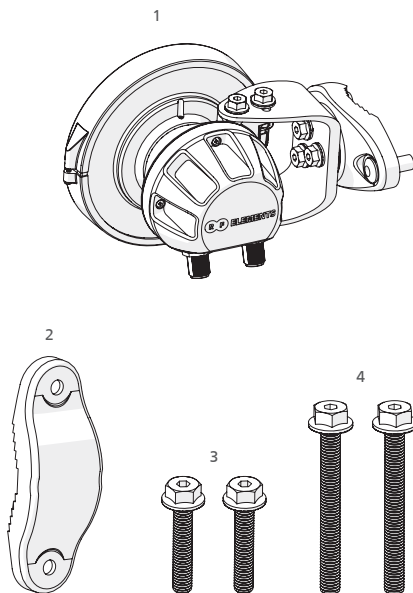
CONNECTORIZED SYMMETRICAL HORN ANTENNA
WITH CARRIER CLASS PERFORMANCE



Symmetrical Horn SH-CC 5-90

3

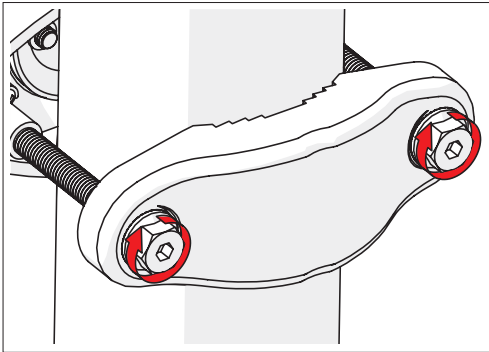
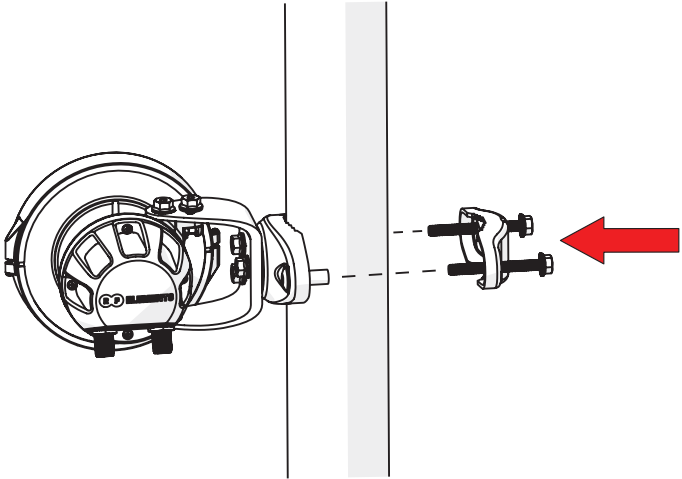
Package Contents



Number	Description	Quantity
1	SH-CC 5-90 Body	1x
2	SH-CC 5-90 Bracket	1x
3	M8 x 42,5mm Screw	2x
4	M8 x 73,5mm Screw	2x

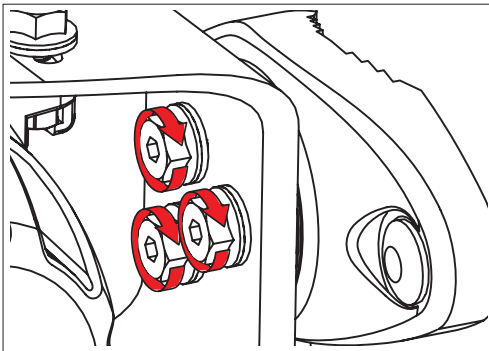
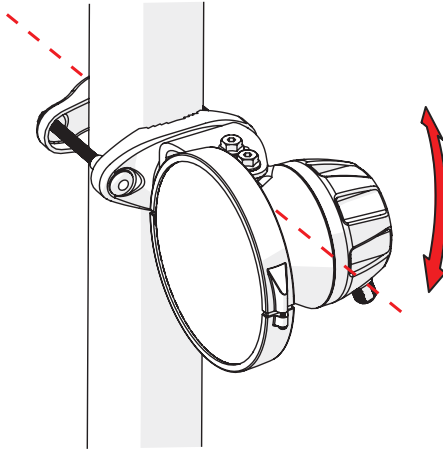
Symmetrical Horn SH-CC 5-90

Pole Installation



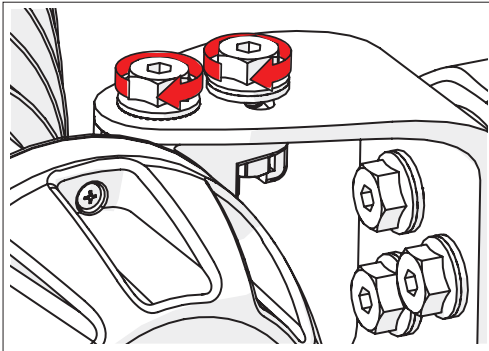
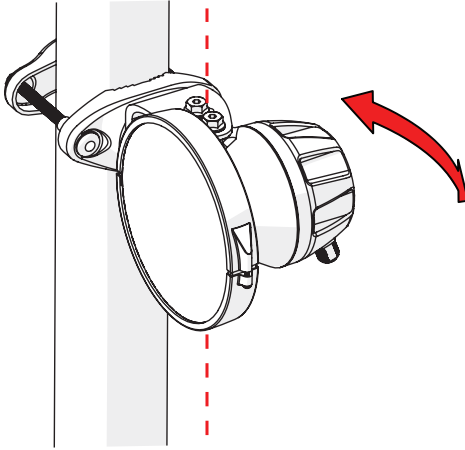
Symmetrical Horn SH-CC 5-90

Installation Guide



Symmetrical Horn SH-CC 5-90

Installation Guide





RF elements s.r.o.
Phone: +421 2 3260 3711
info@rfelements.com
www.rfelements.com