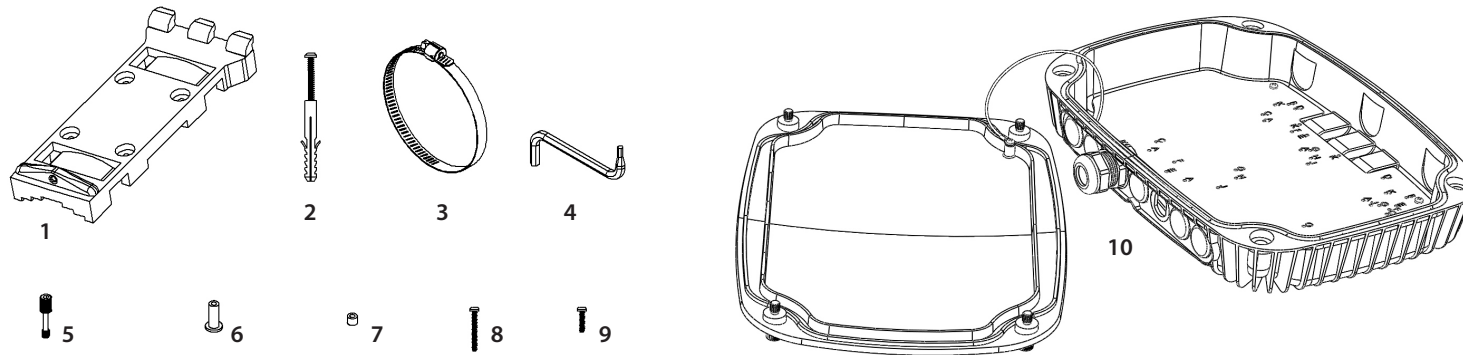


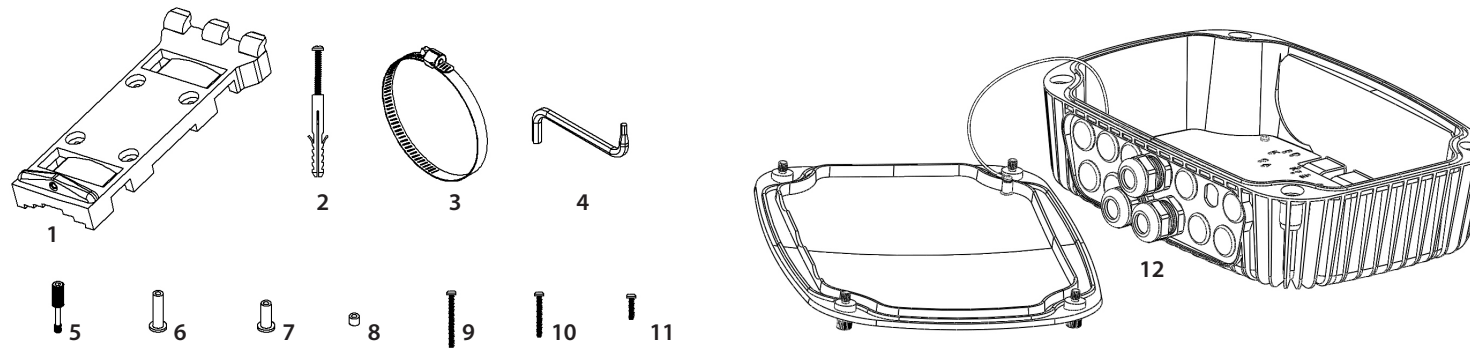
StationBox® ALU&ALU CC Package Contains

Contents: StationBox®ALU



- 1 Bracket
- 2 3,5×45mm screw with wall plug, 4pcs
- 3 Hose Clamp 50-70 mm, 2pcs
- 4 Allen Key 3-5 mm
- 5 M4 Captive Screw
- 6 Spacer 18 mm, 4pcs
- 7 Spacer 5mm, 4pcs
- 8 2,9 × 25mm screw, 4pcs
- 9 2,9 × 13mm screw, 4pcs
- 10 Body

Contents: StationBox®ALU CC



- 1 Bracket
- 2 3,5×45mm screw with wall plug, 4pcs
- 3 Hose Clamp 50-70 mm, 2pcs
- 4 Allen Key 3-5 mm
- 5 M4 Captive Screw
- 6 Spacer 25,3 mm, 4pcs
- 7 Spacer 18 mm, 4pcs
- 8 Spacer 5mm, 4pcs
- 9 2,9 × 32mm screw, 4pcs
- 10 2,9 × 25mm screw, 4pcs
- 11 2,9 × 13mm screw, 4pcs
- 12 Body

Spacer Positions

A RB711 / RB411 / RB433 / RB435
 B Alix2/Alix6

C Alix3
 D RouterStation PRO

E RouterStation
 G RW2458N

F, H, J - Not specified, use when fits your equipment

StationBox® ALU&ALU CC Quick Start Guide

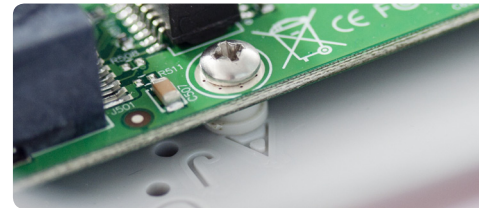
*StationBox®ALU shown on pictures



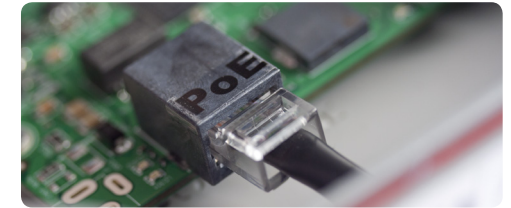
1 Open the enclosure and remove the parts packed inside.



2 Remove red silicone caps and install desired amount of pigtailed connectors. Use only sealed pigtailed connectors (with O-ring).



3 Install selected board using spacers and screws.



4 Connect the cables to the board



5 Close the enclosure and tighten the screws.



6 Attach bracket to the mast using hose clamps. Clamps shall be as much to the outer edge of bracket, as possible.



7 Secure the M4 screw.



8 Installation on the Wall. Attach bracket to the wall using wall plugs and screws. Then install the enclosure and secure the M4 screw.