

Symmetrical Horn Carrier Class

SH-CC 5-90

CONNECTORIZED SYMMETRICAL HORN ANTENNA WITH CARRIER CLASS PERFORMANCE

The SH-CC Series offer unique RF performance in a very compact package. Scalar horn antennas have symmetrical beams with identical patterns in the Vertical and Horizontal plain. Extremely small side lobes secure greatly decreased interference.

SH-CC Antennas are ideal for covering areas with close in clients where null zone issues occur. High density AP clusters and radio co-location is now practical due to very unique RF radiation patterns and compact size.

SH-CC 5-90 antenna is equipped with N-female connectors.



TECHNICAL DATA

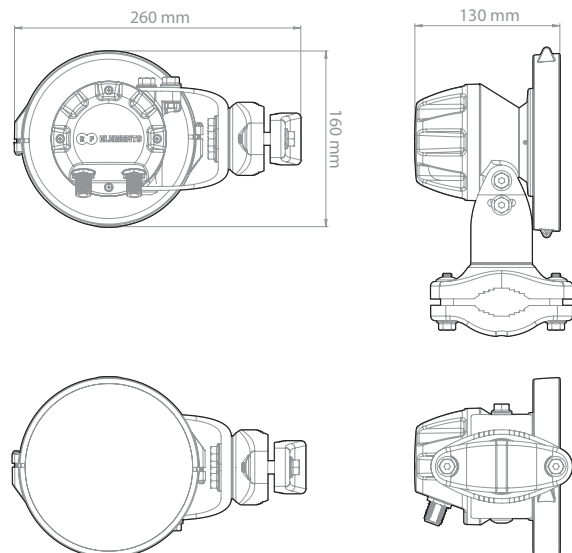
| | |
|------------------------|---|
| Radio Connection | 2x N Female Bulkhead Connector |
| Antenna Type | Horn |
| Materials | UV Resistant polycarbonate, Polypropylene, Aluminium, Zinc, Stainless Steel |
| Environmental | IP55 |
| Pole Mounting Diameter | 15-86 mm |
| Temperature | -30°C to +55°C (-22°F to +131°F) |
| Wind Survival | 160 km/hour |
| Mechanical Tilt | ± 25° |
| Weight | 1.7 Kg / 3.7 lbs* – single unit 2.5 Kg / 5.5 lbs* – single unit incl. package N/A Kg / lbs – carton (N/A units) |
| Single Unit | Retail Box: 31 × 20 × 22 cm* |
| N/A Units | Carton Box: N/A |

*Estimation based on pre-production units. Subject to change.

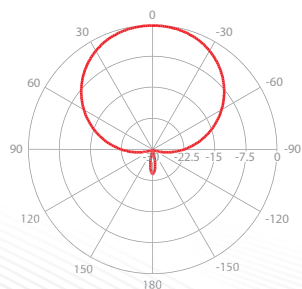
PERFORMANCE

| | |
|------------------------------------|-------------------|
| Frequency Range | 5180 - 6100 MHz |
| Gain | 10 dBi |
| Azimuth/Elevation Beam Width -3 dB | H 67° / V 67° |
| Azimuth/Elevation Beam Width -6 dB | H 90° / V 90° |
| Front-to-Back Ratio | 38 dB |
| VSWR Max | 1.8 |
| Polarization | Dual Linear H + V |
| Impedance | 50 Ohm |

PRODUCT DIMENSIONS

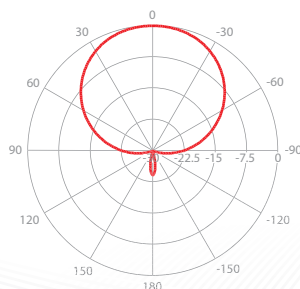


AZIMUTH PATTERN



V/H - Port Pattern Azimuth 5.6 GHz

ELEVATION PATTERN



V/H - Port Pattern Elevation 5.6 GHz

GAIN

