

# StationBox® ALU

## CARRIER CLASS

IP55 ALUMINIUM OUTDOOR ENCLOSURE

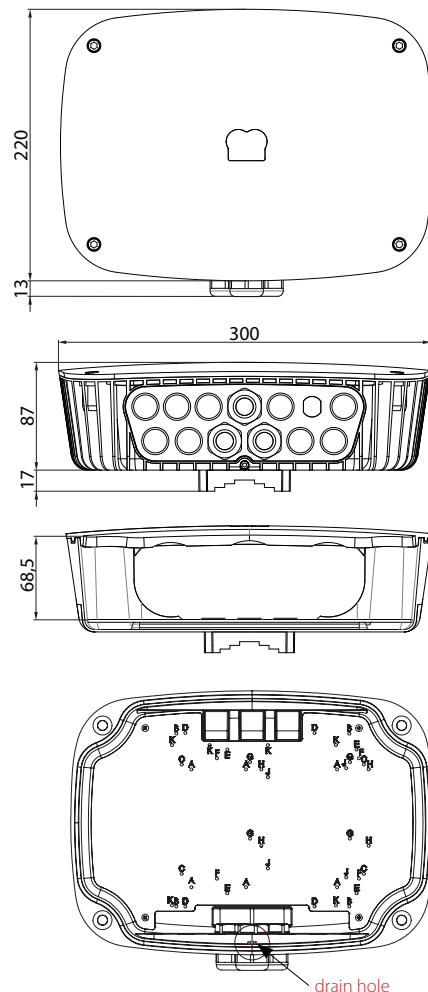
StationBox® ALU CARRIER CLASS is an outdoor aluminium enclosure for wireless platforms and access points with extended number of ports. It directly supports installation of MikroTik RouterBoards RB435, RB433, RB411, RB711, RB911 and RB912, as well as Alix2, Alix3, Alix6 and other wireless platforms of choice.



### TECHNICAL DATA

Materials	Body and Cover - Die Cast Aluminium Mounting plate - ABS plastic Bracket - PA6 high resistant plastic Hardware - Stainless Steel
Operating Temp.	-30 to +60 °C
Wind Survival	120 km/h
Environment Resistance	IP55 IP66**
Mounting Diameter	50-70 mm (with supplied hose clamps)
Weight	2.3 Kg / 5.07 lbs – single piece incl. package 23,6 Kg / 52.03 lbs – carton (10 pcs)
Single Unit	Retail Package: 33 x 25 x 9,5 cm
10 Units	Carton Box: 96 x 35 x 27,5 cm

### PRODUCT DIMENSIONS



### COMPATIBLE WIRELESS PLATFORMS

MikroTik™	RouterBoard™ RB912, RB911, RB711, RB435, RB433, RB411
Ubiquiti Networks™	RouterStation, RouterStation Pro
PC Engines	Alix2, Alix3, Alix6
Redwave	RW2458N
Other Manufacturers*	Simply drill the holes into plastic board and use suitable plastic spacers (sold separately)

### PACKAGE CONTENTS

- StationBox® ALU CARRIER CLASS
- Mounting Bracket
- Base Plate
- Allen Key 3-5mm
- 2x Hose Clamp
- 4x Screw with Wall Plug
- Set of Screws

\*Data package containing Base Plate Hole Dimensions drawing and maximum inner clearance height can be found in Download list

\*\*IP66 rating can be achieved by sealing the drain hole