

# RJ45\_WPC\_g

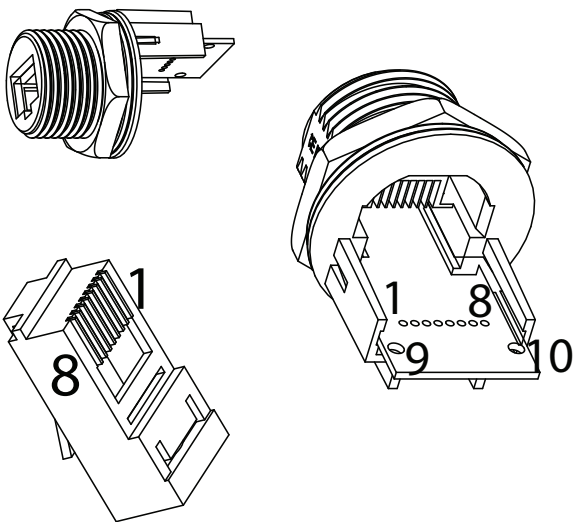
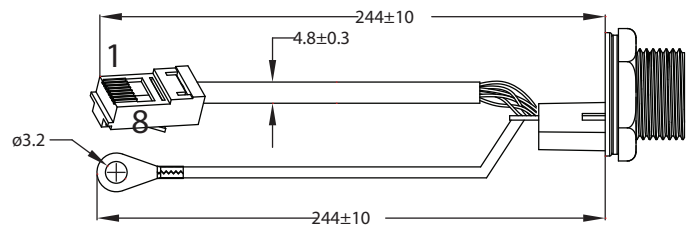
FRONT MOUNTED WATERPROOF RJ45 CONNECTOR

## TECHNICAL DATA

### M19-RJ45-H

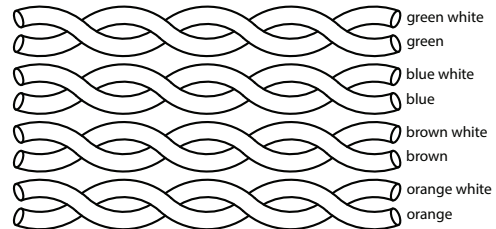
Weight	0.036 Kg / 0.13 lbs – single set incl. package 10.8 Kg / 31.9 lbs – carton (300 units)
Single Unit	Plastic Bag: 9 × 8 × 3 cm
300 Units	Carton Box: 42 × 36 × 31 cm
Product ID	RJ45_WPC_g

## PRODUCT DIMENSIONS



## WIRE DIAGRAM

### color of CAT5 wires



PIN	wire color
1	brown
2	brown white
3	green
4	blue white
5	blue
6	green white
7	orange
8	orange white
9	yellow green
10	braided shielding

